



Quality Marine Equipment
Since 1981

316L WORM DRIVE CLAMPS



7mm
SLOTTED HEX HEAD



500°C MAX
OPERATING TEMP



NON-PERFORATED
ROLLED EDGE



CORROSION
RESISTANT 316L

Entirely 316L stainless steel with a non-perforated, rolled edge, embossed band with a one-piece riveting screw cage.



- Sizes available ½" - 7¼" (13mm - 180mm)
- Embossed band and cage
- Smooth inside band
- Reliable
- Corrosion resistant 316L
- BSI Certified
- One-piece riveting screw cage
- Durable & stable clamping force

CERTIFICATIONS

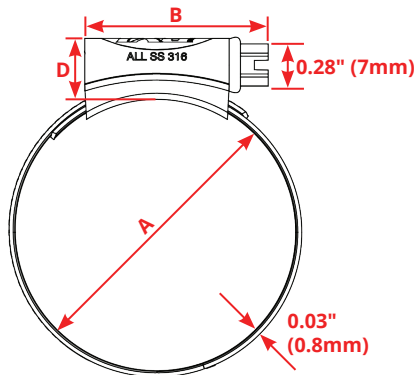


Lasts up to **2X** longer in Corrosion Salt Spray tests than other leading brands!

SPECIFICATIONS

www.pyihoseclamp.com

PART #	RETAIL PRICE	A	B	C	D	E	REC. TORQUE
07HC-20	\$3.20	½" - ¾" (13 - 20mm)	0.75" (19mm)	0.37" (9.5mm)	0.39" (10.0mm)	0.48" (12.3mm)	30.1 in/lbs
07HC-30	\$4.10	⅞" - 1¼" (22 - 30mm)	0.94" (24mm)	0.47" (12.0mm)	0.45" (11.5mm)	0.58" (14.65mm)	45.1 in/lbs
07HC-45	\$4.50	1⅜" - 1¾" (35 - 45mm)	0.94" (24mm)	0.47" (12.0mm)	0.45" (11.5mm)	0.58" (14.65mm)	45.1 in/lbs
07HC-55	\$4.60	1½" - 2¼" (40 - 55mm)	0.94" (24mm)	0.47" (12.0mm)	0.45" (11.5mm)	0.58" (14.65mm)	52.2 in/lbs
07HC-60	\$5.00	1¾" - 2⅜" (45 - 60mm)	0.94" (24mm)	0.47" (12.0mm)	0.45" (11.5mm)	0.58" (14.65mm)	52.2 in/lbs
07HC-70	\$5.35	2¼" - 2¾" (55 - 70mm)	0.94" (24mm)	0.47" (12.0mm)	0.45" (11.5mm)	0.58" (14.65mm)	60.2 in/lbs
07HC-80	\$5.80	2⅜" - 3¼" (60 - 80mm)	0.94" (24mm)	0.47" (12.0mm)	0.45" (11.5mm)	0.58" (14.65mm)	60.2 in/lbs
07HC-90	\$5.85	2¾" - 3⅝" (70 - 90mm)	0.94" (24mm)	0.47" (12.0mm)	0.45" (11.5mm)	0.58" (14.65mm)	60.2 in/lbs
07HC-100	\$6.25	3⅝" - 4" (85 - 100mm)	0.94" (24mm)	0.47" (12.0mm)	0.45" (11.5mm)	0.58" (14.65mm)	60.2 in/lbs
07HC-120	\$7.50	3⅝" - 4¾" (90 - 120mm)	0.94" (24mm)	0.47" (12.0mm)	0.45" (11.5mm)	0.58" (14.65mm)	60.2 in/lbs
07HC-140	\$8.35	4¾" - 5⅝" (120 - 140mm)	0.94" (24mm)	0.47" (12.0mm)	0.45" (11.5mm)	0.58" (14.65mm)	60.2 in/lbs
07HC-150	\$8.35	5⅝" - 6" (130 - 150mm)	0.94" (24mm)	0.47" (12.0mm)	0.45" (11.5mm)	0.58" (14.65mm)	60.2 in/lbs
07HC-160	\$8.80	5⅝" - 6½" (130 - 160mm)	0.94" (24mm)	0.47" (12.0mm)	0.45" (11.5mm)	0.58" (14.65mm)	52.2 in/lbs
07HC-180	\$9.85	6" - 7¼" (150 - 180mm)	0.94" (24mm)	0.47" (12.0mm)	0.45" (11.5mm)	0.58" (14.65mm)	52.2 in/lbs



CLAMP JACKETS

The unique sleeve design allows the Clamp Jacket to slip over the tail of a hose clamp to provide a worker protection from cuts and abrasion from exposed clamp tails.

PART NUMBERS

QTY	5/16"	1/2"	1/4"
25	CJ516-25	CJ-12-25	CJ-T14-25
100	CJ-516-100	CJ-12-100	CJ-T14-100

PYI Inc. 02-110718
425-355-3669
www.pyiinc.com

