



QUALITY MARINE EQUIPMENT
SINCE 1981

PSS
TYPE C SEAL
For 6½" to 8" Shaft Diameters

Quote Form

1-062119

Contact Information

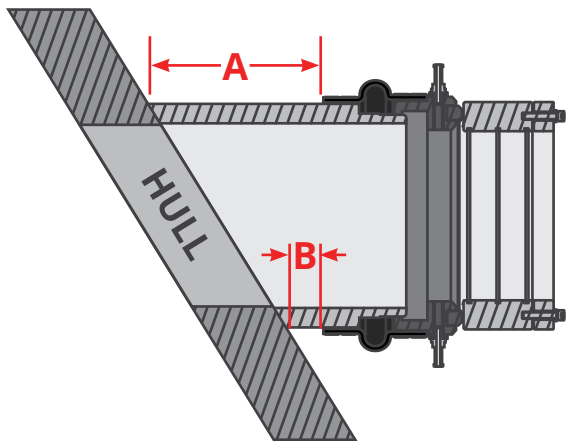
* Required information

Full Name*		Company	
Email*		Phone*	
Address	City	State	Zip Code

Part Information

Select PSS Type C Model* <input type="checkbox"/> Weld on Stern Tube <input type="checkbox"/> Flange Mounted <input type="checkbox"/> Flange Mounted with Bladder	Material* <input type="checkbox"/> Aluminum <input type="checkbox"/> Steel <input type="checkbox"/> 316L Stainless Steel	Shaft Diameter*	Corrosion Treatment
		Number of Bolts*	Requested Delivery Date

Weld on Stern Tube Dimensions



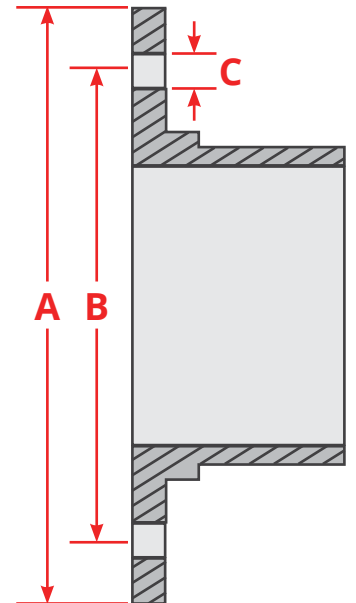
A	
B	

Flange Mounted / Flange Mounted with Bladder Dimensions

A (Flange O.D.)
B (Bolt Circle)
C (Bolt Hole Ø)

Select your flange bolt pattern.

4 Bolt <input type="checkbox"/>	6 Bolt <input type="checkbox"/>
8 Bolt <input type="checkbox"/>	Custom (Provide Drawing) <input type="checkbox"/>



PYI Inc.
12532 Beverly Park Road
Lynnwood, WA 98087
425-355-3669
info@pyiinc.com
www.pyiinc.com